

Features

Series:	V
Type:	60
Code:	09.625.014.01
Description:	V601010ENC12C12
Customer's code:	-
Colour:	Black

Last drawing

Index:	-	Date:	-
--------	---	-------	---

Application

-

Driveline data

X	1 3/8" Z6 DIN 9611
Y	1 3/8" Z6 DIN 9611
E	850-33.46"
I	865-34.06"
P	780-30.71"

Overlap

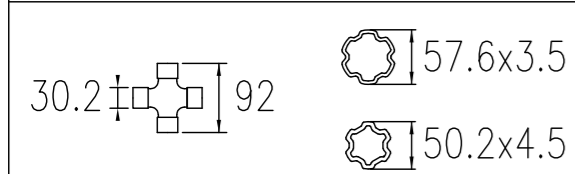
	Steel tubes	Guard
Max.	817-32.17"	760-29.92"
Min.	290-11.42"	233-9.17"

Greasing point

1)	-
2)	-

The dimensioning is cross to cross

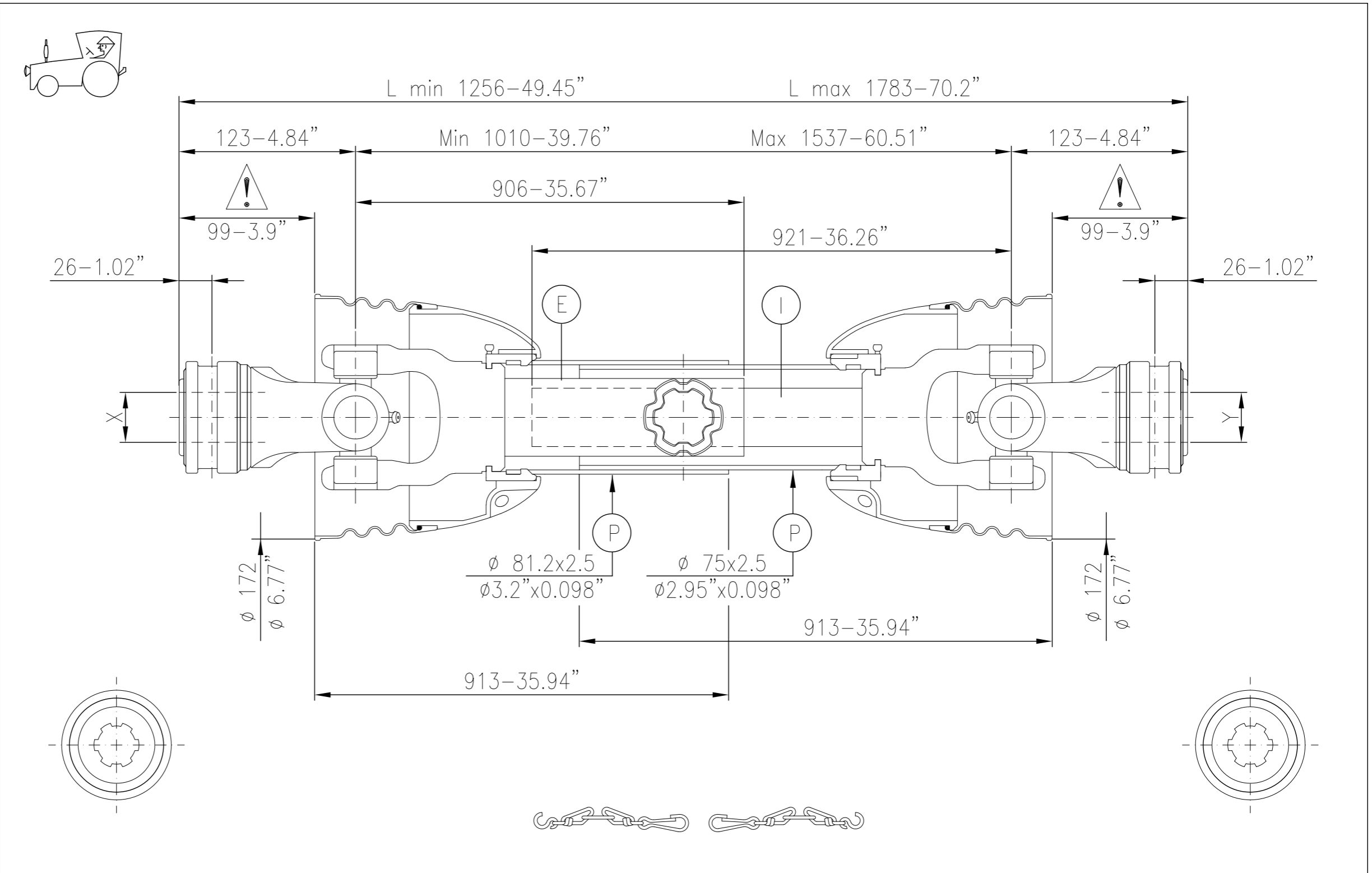
Cross and tubes



End fittings	Max. torque
Tractor Cod: C12	-
Implement Cod: C12	-

Notes:
 CERTIFIED

Warning !
 Sections of driveline marked are not shielded and must be shielded by an interactive guarding system.
 COMER spa declines responsibility if proper guards are not provided or maintained.



Cross and tubes	Data 540 r.p.m.				Data 1000 r.p.m.				1100 min. ⁻¹ r.p.m. max.	Data for only critical velocity		Customer: --
	KW	CV	Nm.	in.lb.	KW	CV	Nm.	in.lb.		540 r.p.m.	1000 r.p.m.	
	50	68	880	7790	77	105	740	6510		Max. -	Max. -	Date: 31-10-17
									L max. -	L max. -		
	Continuous operation data and conditions, working angle 5°, average life 1000 hours									Checked:	Signed by: A.S.	